

ATyS

63 to 3200 A

Functions

- References
- Accessories
- Enclosed ATyS
- Characteristics
- Dimensions

Functions

ATyS products are 3 and 4-pole switches **remotely controlled by volt free contacts** (ATyS 3) or **automatic transfer switches** (ATyS 6).

They are a combination of two load-break switches mounted back to back electrically and mechanically interlocked. They provide manual switching or remote controlled source inversion or changeover under load, of two low voltage power circuits.

Conformity to standards

- IEC 60947-3
- EN 60947-3
- NBN EN 60947-3
- BS EN 60947-3
- GB 14048
- IEC 60947-6-1
- EN 60947-6-1
- NBN EN 60947-6-1
- BS EN 60947-6-1
- VDE 0660-107

General characteristics

- Isolation with positive break indication.
- On load switching.
- Manual emergency operation.
- 3 stable positions (I, 0, II) or overlapping contacts on request (I, I+II, II), for ATyS only.
- Padlocking in 0 or in all three positions (I, 0, II).
- AUTO / MANU selector.

ATyS M 3s



atysm_013_a_1_cat



ATyS M 6e

atysm_007_a_1_cat



ATyS 3s

atys_003_a_1_cat



ATyS 6m

atys_102_a_1_cat





Illustrations

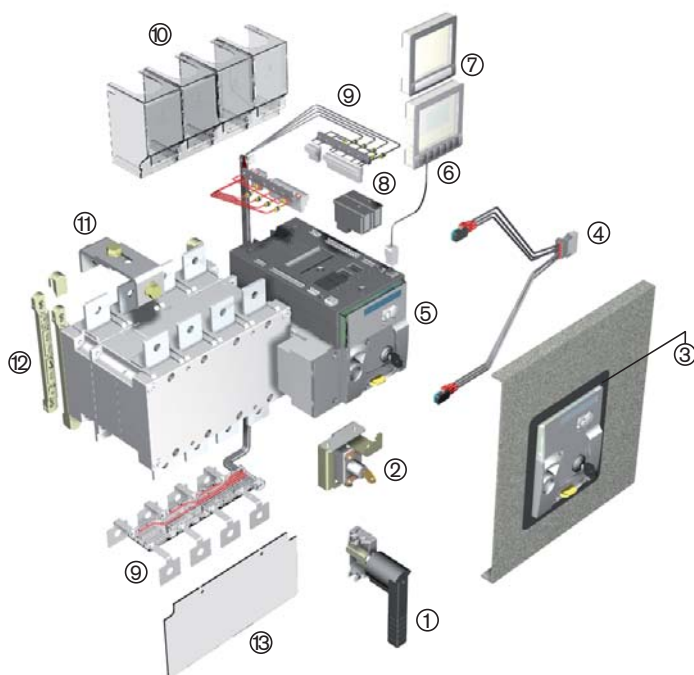
ATyS **M** from 63 to 160 A



Overview (for further details, please see the installation instructions supplied with each device).

1. ATyS D10 or D20 remote interfaces (ATyS **M 6e** only)
2. 1 or 2 auxiliary contacts
3. Terminal shrouds
4. Voltage sensing and power supply tap
5. Bridging bars

ATyS from 125 to 3200 A



1. Backup handle and support (included with device)
2. Handle key interlocking accessories
3. Door protective surround
4. Additional auxiliary contacts
5. Standard device
6. Connecting cable for ATyS D10 or D20 remote interfaces (ATyS 6)
7. ATyS D10 or D20 interfaces (ATyS 6)
8. Plug-in optional modules (not for ATyS 3s)
9. Voltage sensing and power supply kit (ATyS 6)
10. Terminal shrouds
11. Bridging bars
12. Mounting spacers
13. Terminal screens

atym_032_a_1_x_cat

atys_615_a_1_x_cat

ATyS 63 to 3200 A

- Functions
- References
- Accessories
- Enclosed ATyS
- Characteristics
- Dimensions

References

▶ ATyS M 3



alyem_025_a_1_cat



alyem_026_a_1_cat



alyem_027_a_1_cat



alyem_028_a_1_cat



alyem_012_a_1_cat



Rating (A)	No. of poles	ATyS M 3s ⁽¹⁾	Bridging bars	Voltage sensing and power supply tap	Terminal shrouds ⁽²⁾	Auxiliary contacts ⁽³⁾	DPS - Double power supply
63	4 P	1323 4006	1309 4006	pair 1399 4006	pair 2294 4016	1st AC standard 2nd AC 1309 0001	1599 4001
80	4 P	1323 4008					
100	4 P	1323 4010					
125	4 P	1323 4012					
160	4 P	1323 4016	1309 4016				

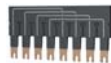
- (1) Power-supply voltage 230 VAC.
- (2) 2 pieces: top and bottom.
- (3) 1 contact block for I, 0 and II positions.

▶ ATyS M 6



alyem_007_a_2_cat

alyem_025_a_1_cat



alyem_026_a_1_cat



alyem_027_a_1_cat



alyem_028_a_1_cat



alyem_043_a



alyem_043_a



Rating (A)	No. of poles	Network (VAC)	ATyS M 6s	ATyS M 6e	Bridging bars	Voltage sensing and power supply tap	Terminal shrouds ⁽¹⁾	Auxiliary contacts ⁽²⁾	Remote interface ⁽³⁾	Sealable cover ⁽⁴⁾
63	4 P	127 / 230	1353 4006	1363 4006	1309 4006	pair 1399 4006	pair 2294 4016	1309 0001	ATyS D10 1599 2010	1359 0000
	4 P	230 / 400	1354 4006	1364 4006						
80	4 P	127 / 230	1353 4008	1363 4008						
	4 P	230 / 400	1354 4008	1364 4008						
100	4 P	127 / 230	1353 4010	1363 4010						
	4 P	230 / 400	1354 4010	1364 4010						
125	4 P	127 / 230	1353 4012	1363 4012						
	4 P	230 / 400	1354 4012	1364 4012						
160	4 P	127 / 230	1353 4016	1363 4016	1309 4016					
	4 P	230 / 400	1354 4016	1364 4016						

- (1) To shroud front switch top and bottom 2 references required.
- (2) 1 contact block for I, 0 and II positions.
- (3) For ATyS M 6e only.
- (4) For ATyS M 6s only.



References

ATyS 3



Rating (A)	No. of poles	ATyS 3s	ATyS 3e	Bridging bars	Terminal shrouds ⁽¹⁾⁽²⁾	Terminal screens ⁽³⁾
125	3 P	1523 3012	1533 3012	1 P 4109 0019	3 P 2694 3014	3 P 1509 3012
	4 P	1523 4012 ⁽⁴⁾	1533 4012		4 P 2694 4014	4 P 1509 4012
160	3 P	1523 3016	1533 3016	1 P 4109 0025	3 P 2694 3021	3 P 1509 3025
	4 P	1523 4016 ⁽⁴⁾	1533 4016		4 P 2694 4021	4 P 1509 4025
250	3 P	1523 3025	1533 3025	1 P 4109 0039	3 P 2694 3051	3 P 1509 3063
	4 P	1523 4025 ⁽⁴⁾	1533 4025		4 P 2694 4051	4 P 1509 4063
400	3 P	1523 3040	1533 3040	1 P 4109 0080	-	3 P 1509 3080
	4 P	1523 4040 ⁽⁴⁾	1533 4040			4 P 1509 4080
630	3 P	1523 3063	1533 3063	1 P 4109 0120	-	3 P 1509 3160
	4 P	1523 4063 ⁽⁴⁾	1533 4063			4 P 1509 4160
800	3 P	1523 3080	1533 3080	1 P 4109 0160	-	3 P 1509 3200
	4 P	1523 4080 ⁽⁴⁾	1533 4080			4 P 1509 4200
1000	3 P	1523 3100	1533 3100	See page A.126 "Copper bars connection kits"	-	3 P 1509 3250
	4 P	1523 4100 ⁽⁴⁾	1533 4100			4 P 1509 4250
1250	3 P	1523 3120	1533 3120	-	-	3 P 1509 3320
	4 P	1523 4120 ⁽⁴⁾	1533 4120			4 P 1509 4320
1600	3 P	1523 3160	1533 3160	-	-	3 P 1509 3320
	4 P	1523 4160 ⁽⁴⁾	1533 4160			4 P 1509 4320
1800	3 P	1523 3180	-	-	-	3 P 1509 3200
	4 P	1523 4180	-			4 P 1509 4200
2000	3 P	-	1533 3200	-	-	3 P 1509 3200
	4 P	-	1533 4200			4 P 1509 4200
2500	3 P	-	1533 3250	-	-	3 P 1509 3200
	4 P	-	1533 4250			4 P 1509 4200
3200	3 P	-	1533 3320	-	-	3 P 1509 3200
	4 P	-	1533 4320			4 P 1509 4200

+ OTHER ACCESSORIES

	Rating (A)	Plug-in optional modules	Auxiliary contacts ⁽⁵⁾	Control voltage transformer 400/230 VAC	DC power supply	Padlocking ⁽⁵⁾	Handle key interlocking accessories ⁽⁵⁾	Door protective surround	Mounting spacers	DPS - Double power supply					
ATyS 3s	125 ... 160	-	1599 1002	1599 4063	12 VDC 1599 5012	1599 0003	1509 1006	1529 0012	1509 0001	1599 4001					
	250 ... 400		1599 1012												
	630		1599 1022												
	800 ... 1800		1599 1032								1599 4120	24 VDC 1599 5112	1599 0004	1509 1004	1529 0080
ATyS 3e	125 ... 160	RS485 1599 2000	1599 0002	1599 4063	48 VDC 1599 5212	1599 0003	1509 1006	1539 0012	1509 0001	-					
	250 ... 400		1599 0012												
	630		1599 0022												
	800 ... 1600		1599 0032								1599 4120	1599 0004	1509 1004	1539 0080	-
	2000 ... 3200		⁽⁶⁾								1599 4200				

(1) To shroud front switch top and bottom 2 references required. (2) To fully shroud front and rear / top and bottom 4 references required.
 (3) 1 set: top and bottom. (4) Available enclosed (see page A.134 "Enclosed ATyS 3s"). (5) Factory fitted. (6) The first contact is on the electronic part (the second and the third contacts are as standard).

ATyS 63 to 3200 A

- Functions
- References
- Accessories
- Enclosed ATyS
- Characteristics
- Dimensions

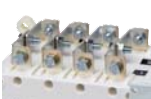
References

ATyS 6

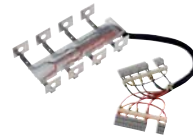
atys_097_b_2_cat



across_205_a_1_cat



across_606_a_1_cat



across_206_a_1_cat



across_207_a_1_cat



Rating (A)	No. of poles	ATyS 6e	ATyS 6m	Bridging bars	Voltage sensing kit	Terminal shrouds ⁽¹⁾⁽²⁾	Terminal screens ⁽³⁾
125	3 P	1563 3012	1573 3012	1 P 4109 0019	3 P 1559 3012		3 P 2694 3014
	4 P	1563 4012 ⁽⁴⁾	1573 4012		4 P 1559 4012 ⁽⁵⁾	4 P 1559 4013 ⁽⁶⁾	4 P 2694 4014
160	3 P	1563 3016	1573 3016	1 P 4109 0025	1559 3025		3 P 2694 3021
	4 P	1563 4016 ⁽⁴⁾	1573 4016		1559 4025 ⁽⁵⁾	1559 4026 ⁽⁶⁾	4 P 2694 4014
250	3 P	1563 3025	1573 3025	1 P 4109 0039	1559 3040		3 P 2694 3021
	4 P	1563 4025 ⁽⁴⁾	1573 4025		1559 4040 ⁽⁵⁾	1559 4041 ⁽⁶⁾	4 P 2694 4021
400	3 P	1563 3040	1573 3040	1 P 4109 0063	1559 3063		3 P 2694 3051
	4 P	1563 4040 ⁽⁴⁾	1573 4040		1559 4063 ⁽⁵⁾	1559 4064 ⁽⁶⁾	4 P 2694 4021
630	3 P	1563 3063	1573 3063	1 P 4109 0080	1559 3080		3 P 2694 3051
	4 P	1563 4063 ⁽⁴⁾	1573 4063		1559 4063 ⁽⁵⁾	1559 4064 ⁽⁶⁾	4 P 2694 4051
800	3 P	1563 3080	1573 3080	1 P 4109 0120	1559 3080		3 P 2694 3051
	4 P	1563 4080 ⁽⁴⁾	1573 4080		1559 4080 ⁽⁵⁾	1559 4081 ⁽⁶⁾	4 P 2694 4051
1000	3 P	1563 3100	1573 3100	1 P 4109 0160	1559 3120		3 P 2694 3051
	4 P	1563 4100 ⁽⁴⁾	1573 4100		1559 4120 ⁽⁵⁾	1559 4121 ⁽⁶⁾	4 P 2694 4051
1250	3 P	1563 3120	1573 3120	1 P 4109 0160	1559 3160		3 P 2694 3051
	4 P	1563 4120 ⁽⁴⁾	1573 4120		1559 4160 ⁽⁵⁾	1559 4161 ⁽⁶⁾	4 P 2694 4051
1600	3 P	1563 3160	1573 3160	1 P 4109 0160	1559 3160		3 P 2694 3051
	4 P	1563 4160 ⁽⁴⁾	1573 4160		1559 4160 ⁽⁵⁾	1559 4161 ⁽⁶⁾	4 P 2694 4051
2000	3 P	1563 3200	1573 3200	1 P 4109 0160	1559 3200		3 P 2694 3051
	4 P	1563 4200	1573 4200		1559 4200 ⁽⁵⁾	1559 4201 ⁽⁶⁾	4 P 2694 4051
2500	3 P	1563 3250	1573 3250	1 P 4109 0160	1559 3200		3 P 2694 3051
	4 P	1563 4250	1573 4250		1559 4200 ⁽⁵⁾	1559 4201 ⁽⁶⁾	4 P 2694 4051
3200	3 P	1563 3320	1573 3320	1 P 4109 0160	1559 3200		3 P 2694 3051
	4 P	1563 4320	1573 4320		1559 4200 ⁽⁵⁾	1559 4201 ⁽⁶⁾	4 P 2694 4051

+ OTHER ACCESSORIES

Rating (A)	Plug-in optional modules	Remote control interface	RJ45 connecting cable	Auxiliary contacts ⁽⁷⁾	Control voltage transformer 400/230 VAC	DC power supply	Padlocking ⁽⁷⁾	Handle key interlocking accessories ⁽⁷⁾	Door protective surround	Mounting spacers
125 ... 160	RS485 1599 2000 2 inputs / 2 outputs 1599 2001	ATyS D10 1599 2010 ATyS D20 1599 2020	1599 2009	1599 0002	1599 4063	12 VDC 1599 5012	1599 0003	1509 1006	1539 0012	1509 0001
250 ... 400				1599 0012		24 VDC 1599 5112				
630				1599 0022		48 VDC 1599 5212				
800 ... 1600				1599 0032	1599 4120	1599 0004	1509 1004	1539 0080	-	
2000 ... 3200				⁽⁸⁾	1599 4200	-				

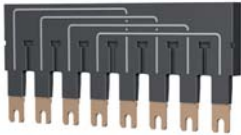
(1) To shroud front switch top and bottom 2 references required. (2) To fully shroud front and rear / top and bottom 4 references required. (3) 1 set: top and bottom. (4) Available enclosed (see page A.135 "Enclosed ATyS 6e"). (5) Neutral on the right. (6) Neutral on the left. (7) Factory fitted. (8) The first contact is on the electronic part (the second and the third contacts are as standard).



ATyS M - Accessories

Bridging bars

atym_025_a_1_cat



Use
To provide common point on either incoming or outgoing terminals.

References

Rating (A)	No. of poles	References
63 ... 125	4 P	1309 4006
160	4 P	1309 4016

Voltage sensing and power supply tap

atym_026_a_1_cat



Use
Allows up to 2 x $\leq 1.5 \text{ mm}^2$ voltage sensing or power cables connection. To be mounted in any terminal cage when bridging bar not used.

Reference

Rating (A)	No. of parts	Reference
63 ... 160	Pair	1399 4006 ⁽¹⁾

(1) 2 parts per reference.

Terminal shrouds

atym_027_a_1_cat



Use
Protection against direct contact with the connection terminals or parts.

Advantages
Perforations enabling remote thermographic inspection without dismantling.

Reference

Rating (A)	No. of parts	Position	Reference
63 ... 160	Pair	Top and bottom	2294 4016 ⁽¹⁾

(1) To shroud front changeover top and bottom 2 references required.

Auxiliary contacts

atym_028_a_1_cat



Use
Up to 2 auxiliary contacts accessory per product. Each accessory integrates 3 NOC auxiliary contacts, one per position I, 0, II. Characteristics: 250 VAC / 5 A maximum.

Reference

For ATyS M 3s

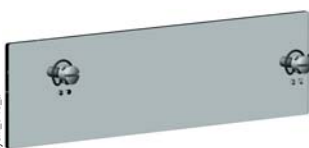
Rating (A)	Reference
63 ... 160	standard
1 st AC - 2 nd AC	1309 0001

For ATyS M 6s and 6e

Rating (A)	Reference
63 ... 160	1309 0001

Sealable cover

atym_048_a



Use
Controls settings cover to prevent ATyS M 6s parameters access due to a sealable facility.

Reference

Rating (A)	Reference
63 ... 160	1359 0000

ATyS 63 to 3200 A

- Functions
- References
- ▶ Accessories
- Enclosed ATyS
- Characteristics
- Dimensions

ATyS - Accessories

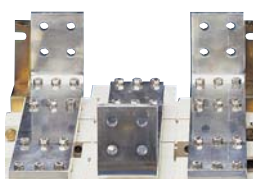
Bridging bars

accens_205_a_1_cat



Use
To provide common point on either incoming or outgoing terminals.

accens_041_a_1_cat



References

Rating (A)	No. of poles	Section (mm)	References
125 ... 160	1 P	20 x 2.5	4109 0019
250	1 P	25 x 2.5	4109 0025
400	1 P	32 x 5	4109 0039
630	1 P	50 x 5	4109 0063
800 ... 1000	1 P	50 x 6	4109 0080
1250	1 P	60 x 8	4109 0120
1600 ... 1800	1 P	90 x 10	4109 0160

Copper bars connection kits

accens_226_c_1_x_cat

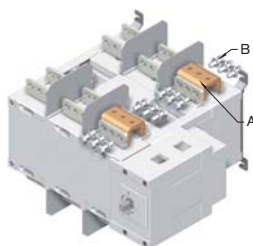


Fig.1

Use
To allow:
- connection between the two power terminals from a same pole for 2000 to 3200 A ratings (Fig. 1 and Fig 2),
- top or bottom bridging connection (Fig. 3).

accens_228_b_1_x_cat

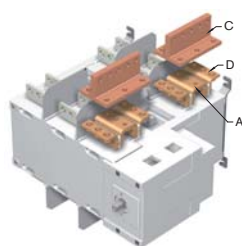


Fig.2

For 3200 A rating, the connection piece (part A) are delivered bridged from factory. Bolt sets must be ordered separately.

Dimensions

See page A.145, for connection kit assembly.

Technical notice for these specific accessories is downloadable from www.socomec.com

accens_230_b_1_x_cat

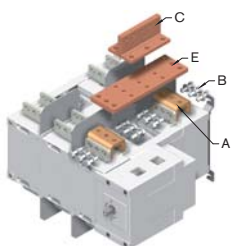


Fig.3

References

Top or bottom flat connection - Fig. 1

Rating (A)	Part	Qty to order per pole ⁽¹⁾	References
2000 ... 2500	Connection piece - part A	2	2619 1200
2000 ... 2500	Bolt set - part B	2	2699 1200
3200	Connection piece - part A	/	standard
3200	Bolt set - part B	2	2699 1200

Top or bottom edgewise connection - Fig. 2

Rating (A)	Part	Qty to order per pole ⁽¹⁾	References
2000 ... 2500	Connection piece - part A	2	2619 1200
2000 ... 2500	T piece - part C	2	2629 1200 ⁽²⁾
2000 ... 2500	Right angle - part D	2	2639 1200 ⁽²⁾
3200	Connection piece - part A	/	standard
3200	T piece - part C	2	2629 1200 ⁽²⁾
3200	Right angle - part D	2	2639 1200 ⁽²⁾

Top or bottom bridging connection - Fig. 3

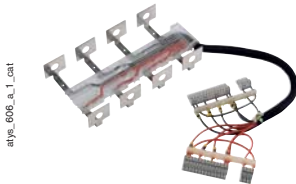
Rating (A)	Part	Qty to order per pole ⁽¹⁾	References
2000 ... 2500	Connection piece - part A	2	2619 1200
2000 ... 2500	Bolt set - part B	2	2699 1200
2000 ... 2500	Bar - part E	1	4109 0250 ⁽²⁾
2000 ... 2500	T piece - part C	1	2629 1200 ⁽²⁾
3200	Connection piece - part A	/	standard
3200	Bolt set - part B	2	2699 1200
3200	Bar - part E	1	4109 0320 ⁽²⁾
3200	T piece - part C	1	2629 1200 ⁽²⁾

(1) Example for 3-pole device equipped top only: order 3 times the quantities.
(2) Bolt set is provided with the accessories.



ATyS - Accessories

Voltage sensing and power supply kit



From 125 to 630 A



From 800 to 3200 A

Use

For ATyS 6 power supply and voltage measurement (4 wires, three phases).

Routing of the conductors is controlled, which means that no specific protective device is necessary for these connections.

The kit can be fitted on the top or the bottom of the switch.
NB: the 3-pole version does not integrate the power supply.

References

For ATyS 6 - 3 pole

Rating (A)	References
125 ... 160	1559 3012
250	1559 3025
400	1559 3040
630	1559 3063
800 ... 1000	1559 3080
1250	1559 3120
1600	1559 3160
2000 ... 3200	1559 3200

For ATyS 6 - 4 pole

Rating (A)	Neutral on the right	Neutral on the left
	References	References
125 ... 160	1559 4012	1559 4013
250	1559 4025	1559 4026
400	1559 4040	1559 4041
630	1559 4063	1559 4064
800 ... 1000	1559 4080	1559 4081
1250	1559 4120	1559 4121
1600	1559 4160	1559 4161
2000 ... 3200	1559 4200	1559 4201

Plug-in optional modules



Use

No. 1: COM module control and state feedback of the changeover switch via a 2 or 3-wire RS485 link with JBUS/MODBUS protocol® and transmission speed up to 38,400 baud.

No. 2: module with 2 inputs/ 2 outputs

- For ATyS 3e:
2 inputs: changeover control + backup network availability;
2 outputs: a load shedder relay + fault relay.
- For ATyS 6e and 6m: 2 inputs/ 2 outputs, programmable.

References

Description of accessories	References
COM RS485 (No. 1)	1599 2000
2 inputs/2 outputs (No. 2)	1599 2001

ATyS 63 to 3200 A

- Functions
- References
- ▶ Accessories
- Enclosed ATyS
- Characteristics
- Dimensions

ATyS - Accessories

Terminal shrouds



Use

Protection against direct contact with the connection terminals or parts.

Advantages

Perforations enabling remote thermographic inspection without dismantling.

References

Rating (A)	No. of poles	Position	References
125 ... 160	3 P	top / bottom / front (I) / rear (II)	2694 3014 ⁽¹⁾⁽²⁾
125 ... 160	4 P	top / bottom / front (I) / rear (II)	2694 4014 ⁽¹⁾⁽²⁾
250 ... 400	3 P	top / bottom / front (I) / rear (II)	2694 3021 ⁽¹⁾⁽²⁾
250 ... 400	4 P	top / bottom / front (I) / rear (II)	2694 4021 ⁽¹⁾⁽²⁾
630	3 P	top / bottom / front (I) / rear (II)	2694 3051 ⁽¹⁾⁽²⁾
630	4 P	top / bottom / front (I) / rear (II)	2694 4051 ⁽¹⁾⁽²⁾

(1) To shroud front switch top and bottom 2 references required.

(2) To fully shroud front and rear / top and bottom 4 references required.

Terminal screens



Use

Top or bottom protection against direct contacts with the connection terminals or parts.

References

Rating (A)	No. of poles	Position	References
125 ... 160	3 P	top or bottom	1509 3012
125 ... 160	4 P	top or bottom	1509 4012
250 ... 400	3 P	top or bottom	1509 3025
250 ... 400	4 P	top or bottom	1509 4025
630	3 P	top or bottom	1509 3063
630	4 P	top or bottom	1509 4063
800 ... 1250	3 P	top or bottom	1509 3080
800 ... 1250	4 P	top or bottom	1509 4080
1600 ... 1800	3 P	top or bottom	1509 3160
1600 ... 1800	4 P	top or bottom	1509 4160
2000 ... 3200	3 P	top or bottom	1509 3200
2000 ... 3200	4 P	top or bottom	1509 4200

Inter phase barriers



Use

Safety isolating separation between the terminals, essential for use at 690 VAC or in a dusty atmosphere.

The terminal shrouds also provide phase separation for ATyS from 125 to 630 A.

References

Rating (A)	No. of poles	References
125 ... 160	3 P	2998 0033
125 ... 160	4 P	2998 0034
250 ... 400	3 P	2998 0023
250 ... 400	4 P	2998 0024
630	3 P	2998 0013
630	4 P	2998 0014
800 ... 3200	3/4 P	standard



ATyS - Accessories

Auxiliary contacts

accns_095_a_1_cat



Use

Pre-breaking and signalling of positions I and II:
1 extra NO / NC auxiliary contact in each position (factory fitted).

Low level AC: please consult us.

References

For ATyS 3s

Rating (A)	References
125 ... 160	1599 1002
250 ... 400	1599 1012
630	1599 1022
800 ... 1800	1599 1032

For ATyS 3e, 6e and 6m

Rating (A)	References
125 ... 160	1599 0002
250 ... 400	1599 0012
630	1599 0022
800 ... 1600	1599 0032
2000 ... 3200	(1)

(1) The first contact is on the electronic part (the second and the third contacts are as standard).

Control voltage transformer

Use

Enables a 230 VAC device to be supplied with 400 VAC.

References

Rating (A)	References
125 ... 630	1599 4063
800 ... 1800	1599 4120
2000 ... 3200	1599 4200

DC power supply

Use

Allows standard ATyS, to be DC power supplied.

To be positioned as close as possible from DC power supply source.

Not available for ratings from 2000 to 3200 A.

References

Rating (A)	Voltage	References
125 ... 1800	12 VDC / 230 VAC	1599 5012
125 ... 1800	24 VDC / 230 VAC	1599 5112
125 ... 1800	48 VDC / 230 VAC	1599 5212

Padlocking in the 3 positions I-0-II



ATyS 125_a_1_cat

Use

Allows locking of the operation in the 3 positions I, 0 and II.

Factory fitted.

References

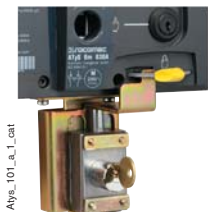
Rating (A)	References
125 ... 630	1599 0003
800 ... 3200	1599 0004

ATyS 63 to 3200 A

- Functions
- References
- ▶ **Accessories**
- Enclosed ATyS
- Characteristics
- Dimensions

ATyS - Accessories

Handle key interlocking accessories



ATyS_101_a_1_cat

Use

Locking the electrical control and the backup control in position 0 using a RONIS EL11AP lock.
Factory fitted.
As standard, locking in position 0.
Optional padlocking in 3 positions: 0, I and II.

References

Rating (A)	References
125 ... 630	1509 1006
800 ... 3200	1509 1004

Mounting spacers



ATyS_009_a_1_cat

Use

Raises the device's terminals 10 mm away from the bottom of the enclosure or frame on which the device is mounted.
This may also be used to replace the original mounting spacers.

Reference

Rating (A)	Description of accessories	Reference
125 ... 630	1 set of 2 spacers	1509 0001

Door protective surround



ATyS_595_a_1_cat

Use

Door finishing surround for protecting ATyS application.

References

<i>For ATyS 3s</i>	
Rating (A)	References
125 ... 630	1529 0012
800 ... 1800	1529 0080
<i>For ATyS 3e, 6e and 6m</i>	
Rating (A)	References
125 ... 630	1539 0012
800 ... 3200	1539 0080



ATyS - Accessories

Remote interfaces for ATyS M 6e and ATyS 6e, 6m, C30



aty_s_b64_c_1_cat

Use

Dedicated to applications where the ATyS is back panel mounted.

Interfaces are self powered from the ATyS.

Maximum connection distance: 3 m.

ATyS D10

To display source availability and changeover state on the cabinet front panel, IP21 alone.

Reference

Description	References
ATyS D10 interface	1599 2010
ATyS D20 interface	1599 2020



aty_s_b65_c_1_cat

ATyS D20

In addition to the ATyS D10 allows displays, operation and configuration on the cabinet front panel, IP21 alone.

Door mounting

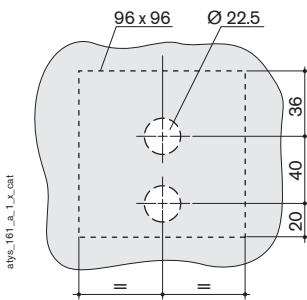
2 holes Ø 22.5.

Master ATyS connection via RJ45 cable, not isolated.



aty_s_b97_a_1_cat

RJ45 link for ATyS connection



aty_s_b61_a_1_x_cat

Drilled holes

ATyS 63 to 3200 A

- Functions
- References
- ▶ Accessories
- ▶ Enclosed ATyS
- Characteristics
- Dimensions

ATyS - Accessories

Connecting cable for remote interfaces D10 / D20



atys_209_a_1_cat

Use

Connection between interface (type D10 or D20) and ATyS **M 6e** or ATyS 6e, 6m, C30. Characteristics: RJ45 8 wires not insulated straight connection, 3 meters length.

Reference

For ATyS **M 6e** and ATyS 6e, 6m, C30

Type	Length	Reference
RJ45 cable	3 m	1599 2009

Double power supply - DPS



atys_612_a_2_cat

Use

Allows for ATyS **M 3s** and ATyS 3s to be supplied by two 230 VAC 50/60 Hz networks.

Inputs

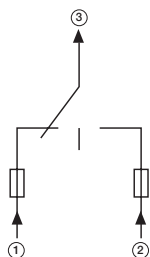
- The input is considered as “active” from 200 VAC.
- Max. voltage: 280 VAC.
- Internal protection: each input is fuse protected (6x32 SA 3.15 A).
- Connection on terminals: max. 6 mm².
- Modular device: 4 modules width.

Reference

For ATyS **M 3s** and ATyS 3s

Description	Reference
Double Power Supply (DPS)	1599 4001

Input 1	Input 2	Output
230 VAC	0 VAC	230 VAC (Input 1)
0 VAC	230 VAC	230 VAC (Input 2)
230 VAC	230 VAC	230 VAC (Input 1)
0 VAC	0 VAC	0 VAC



atys_616_a

1 and 2. Voltage inputs
3. Voltage output



Enclosed ATyS M

Steel enclosure



Functions

- Modular design.
- Different optional accessories are available.

Conformity to standards

- IEC 60439-1

General characteristics

- From 63 to 160 A.
- 230/400 VAC network +/- 20 % (standard).
- 127/230 VAC network for ATyS M 6e (on request).
- 3 or 4 wires applications.
- Protection degree: IP41 (standard), IP55 (optional).
- Colour: RAL 7035.
- Cable gland plate: top or bottom.
- Material: steel thickness 1.5 mm.
- Coating: epoxy polyester powder.
- Wall mounting: 4 wall mounting brackets supplied-not mounted.
- Door: solid with hinges, 45 mm cut out dimension, with glass for IP55 version.
- Locking system: 3 mm double-bar key (key supplied).
- Miscellaneous: 2 earth connection points, neutral on the right.
- Weight (without busbar support): 32 kg (6 kg for busbar support).
- Connection terminals (without busbar support): 6 mm² minimum Cu section, 50 mm² maximum Cu section.

Options

- Auxiliary contact: integrate NOC per position (I, 0, II), 1 per enclosure.
- Voltage sensing and power supply top: allow up to 2 x 1.5 mm² cable connection.
- Busbar support for Cu connection up to 120 mm².
- Sealable cover.

ATyS M 3s - 230 VAC network

Rating (A)	No. of poles	Enclosure	Enclosure
		IP41	IP55
63	4 P	References 1823 4006	References 1823 4007
100	4 P	References 1823 4010	References 1823 4011
125	4 P	References 1823 4012	References 1823 4013
160	4 P	References 1823 4016	References 1823 4017

ATyS M 6e - 230/400 VAC network⁽¹⁾

Rating (A)	No. of poles	Enclosure	Enclosure
		IP41	IP55
63	4 P	References 1854 4006	References 1854 4007
100	4 P	References 1854 4010	References 1854 4011
125	4 P	References 1854 4012	References 1854 4013
160	4 P	References 1854 4016	References 1854 4017

⁽¹⁾ 127/230 VAC network: on request.

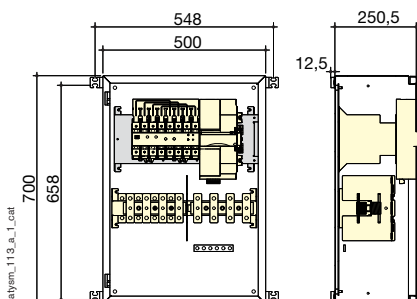
Factory fitted options

Description	References
Auxiliary contact	1309 0001
2 voltage sensing and power supply	1399 4006
Solid neutral	1309 9008
Extension box	1309 9007⁽¹⁾
Sealable cover	1359 0000⁽²⁾
Busbar support	1309 0002

⁽¹⁾ For ATyS M 3s only.

⁽²⁾ For ATyS M 6e only.

Dimensions



ATyS 63 to 3200 A

- Functions
- References
- Accessories
- ▶ Enclosed ATyS
- Characteristics
- Dimensions

Enclosed ATyS 3s

Steel enclosure



Functions

- Non-Automatic Transfer Switch.
- Compact design.
- Mechanically interlocked switching.
- Connection ready for external logic control.

Conformity to standards

- IEC 60439-1

General characteristics

- Adapted to mechanical risk and dust hazard.
- Protection degree: IP54 (standard device).
- Colour: RAL 7035.
- Cable gland plate: top and bottom from 63 to 250 A, bottom from 400 to 1600 A.
- Material: steel thickness 2 mm.
- Coating: epoxy polyester powder.
- Wall mounting: 4 wall mounting brackets supplied - not mounted (rating ≤ 400 A), floor standing feet (rating ≥ 630 A).
- Door: solid with hinges.
- Locking system: 3 mm double-bar key (key supplied).
- Miscellaneous: 2 earth connection points, neutral on the right.
- Accessories: double power supply, 2nd auxiliary contact, solid neutral, 400/230 VAC transformers (on each network), 3 positions padlocking, ...

Available on request

- Enclosures and specific connections: neutral on the left, ...

Standard device - 230 VAC

Rating (A)	No. of poles	References
63	4 P	1723 4006
100	4 P	1723 4010
125	4 P	1723 4012
160	4 P	1723 4016
250	4 P	1723 4025
400	4 P	1723 4040
630	4 P	1723 4063
800	4 P	1723 4080
1000	4 P	1723 4100
1250	4 P	1723 4120
1600	4 P	1723 4160

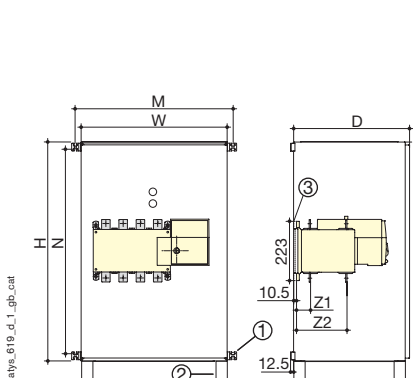
Factory fitted accessories

Description	References
Double power supply	1599 9001
2 nd auxiliary contact: from 63 to 630 A	1599 9002
2 nd auxiliary contact: from 800 to 1600 A	1599 9012
400 / 230 VAC transformer	consult us
3 positions padlocking	1599 9003

Customer fitted accessories

Solid neutral	References
63 ... 160 A	1599 1006
250 A	1599 1025
400 A	1599 1040
630 A	1599 1063
800 A	1599 1080
1000 A	1599 1100
1250 A	1599 1120
1600 A	1599 1160

Dimensions



Rating (A)	Connection		H	W	D	M	N	Z1	Z2	Weight (kg)
	section (mm ²)	Max. connection section (mm ²)								
63 ... 100	-	50	650	400	300	448	608	-	-	-
125	-	50	650	400	300	448	608	38	134	25
160	70	95	650	400	300	448	608	38	134	25
250	120	150	1000	650	475	698	958	39.5	134.5	45
400	240	240	1000	650	475	698	958	39.5	134.5	50
630	2 x 185	2 x 240	1000	650	475	-	-	53	190	70
800	2 x 240	2 x 300	1200	800	660	-	-	66.5	253.5	135
1000	4 x 150	2x300 / 4x240	1200	800	660	-	-	66.5	253.5	140
1250	4 x 185	2x300 / 4x240	1600	1000	830	-	-	66.5	253.5	270
1600	4 x 240	6x185 / 4x300	1600	1000	830	-	-	67.5	253.5	375

- (1) Wall mounting brackets delivered up to 400 A.
 (2) Floor standing feet from 630 A (add 200 mm for feet, at H dimension).
 (3) Mounting spacers.



Enclosed ATyS 6e

Steel enclosure



Functions

- Automatic Transfer Switch - ATS.
- Compact design.
- Mechanically interlocked switching.
- Connection ready for external logic control.

Conformity to standards

- IEC 60947-6-1
- IEC 60439-1

General characteristics

- Adapted to mechanical risk and dust hazard.
- Protection degree: IP54 (standard device).
- Colour: RAL 7035.
- Cable gland plate: top and bottom from 63 to 250 A, bottom from 400 to 1600 A.
- Material: steel thickness 2 mm.
- Coating: epoxy polyester powder.
- Wall mounting: 4 wall mounting brackets supplied - not mounted (rating ≤ 400 A), floor standing feet (rating > 630 A).
- Door: solid with hinges.
- Locking system: 3 mm double-bar key (key supplied).
- Miscellaneous: 2 earth connection points, neutral on the right.
- Accessories: 2nd auxiliary contact, solid neutral, 400/230 VAC transformers (on each network), 3 positions padlocking, ...

Available on request

- Enclosures and specific connections: neutral on the left, ...

Standard device - 230 VAC

Rating (A)	No. of poles	References
63	4 P	1763 4006
100	4 P	1763 4010
125	4 P	1763 4012
160	4 P	1763 4016
250	4 P	1763 4025
400	4 P	1763 4040
630	4 P	1763 4063
800	4 P	1763 4080
1000	4 P	1763 4100
1250	4 P	1763 4120
1600	4 P	1763 4160

Factory fitted accessories

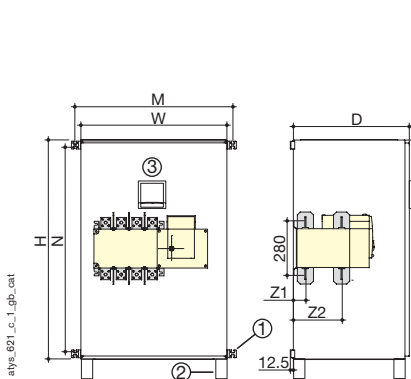
Description	References
2 nd auxiliary contact: from 63 to 630 A	1599 9022
2 nd auxiliary contact: from 800 to 1600 A	1599 9032
400 / 230 VAC transformer	consult us
3 positions padlocking	1599 9003

Customer fitted accessories

Description	References
ATyS D10 ⁽¹⁾	1599 2010
ATyS D20 ⁽¹⁾	1599 2020
RJ45 connection cable	1599 2009
Communication RS485 MODBUS	1599 2000
2 inputs / 2 outputs	1599 2001
Solid neutral (see page A.134 "Enclosed ATyS 3s")	-

⁽¹⁾ "RJ45 connection" cable is required.

Dimensions



- (1) Wall mounting brackets delivered up to 400 A.
 (2) Floor standing feet from 630 A (add 200 mm for feet, at H dimension).
 (3) ATyS D10 or D20 interfaces.

Rating (A)	Connection		H	W	D	M	N	Z1	Z2	Weight (kg)
	section (mm ²)	Max. connection section (mm ²)								
63 ... 100	-	50	650	400	300	448	608	-	-	-
125	-	50	650	400	300	448	608	38	134	25
160	70	95	650	400	300	448	608	38	134	25
250	120	150	1000	650	475	698	958	39.5	134.5	45
400	240	240	1000	650	475	698	958	39.5	134.5	50
630	2 x 185	2 x 240	1000	650	475	-	-	53	190	70
800	2 x 240	2 x 300	1200	800	660	-	-	66.5	253.5	135
1000	4 x 150	2x300 / 4x240	1200	800	660	-	-	66.5	253.5	140
1250	4 x 185	2x300 / 4x240	1600	1000	830	-	-	66.5	253.5	270
1600	4 x 240	6x185 / 4x300	1600	1000	830	-	-	67.5	253.5	375

ATyS 63 to 3200 A

- Functions
- References
- Accessories
- ▶ Enclosed ATyS
- Characteristics
- Dimensions

Enclosed ATyS 6 with isolation BY-PASS

Steel enclosure



Functions

- ATyS 6m Automatic Transfer Switch provides all functions required for break before make ATS applications.
- The SOCOMEC BY-PASS system allows complete ATS isolation. Top and bottom isolation is achieved using the SOCOMEC 12+4 pole BY-PASS switch up to 630 A.
- For the double line version during the ATS isolation, supply, selection remains possible thanks to a manual changeover.
- ATyS 6m associated to a ATyS D20 remote display allows configuration, operation and measurement from outside the panel (adjustable time/transfer delays and control level (U, F), generator start/stop control,...).
- Different optional accessories are available.

Conformity to standards

- IEC 60947-6-1
- IEC 60439-1
- IEC 60529

General characteristics

Product range

- From 63 to 1600 A, 4 pole, 3 or 4 wires applications.
- 400/230 VAC +/- 20%, 50/60 Hz; self supplied from incoming sources.

Main features

- ATS logic control sequence (dual source automatic changeover).
- 3 phases voltage and frequency detection & phase rotation control of both sources.
- Generator start / stop relay output.
- ATS I, 0, II electrical control by volt free dry contacts.
- ATS Emergency manual operation.
- ATS position 0.
- Isolation by-pass and manual changeover 0, I, II auxiliary contacts.
- ATS Auto / Manual key selector with auxiliary contact.

Enclosure

- IP 41 protection rating as standard.
- Hinged door, double bar locking system.
- Wall mounting brackets delivered up to 400 A.
- Floor standing feet from 630 to 1600 A rating.
- Terminals protection screen.
- Steel enclosure.
- RAL 7035.

Cable entry

- Bottom cable entry as standard.
- Specific cable entry requirements available upon request.
- Neutral position located on the right as standard.
- Alternative options available upon request.

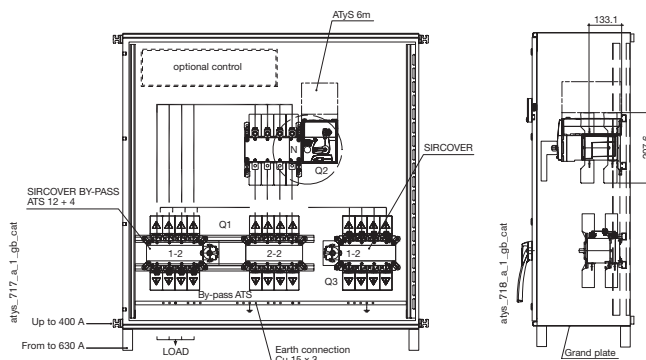
Standard device - 230 VAC		Single line	Double line
Rating (A)	No. of poles	References	References
63	4 P	1773 4007	1774 4007
100	4 P	1773 4011	1774 4011
125	4 P	1773 4013	1774 4013
160	4 P	1773 4016	1774 4016
250	4 P	1773 4025	1774 4025
400	4 P	1773 4040	1774 4040
630	4 P	1773 4063	1774 4063
800	4 P	1773 4080	1774 4080
1000	4 P	1773 4100	1774 4100
1250	4 P	1773 4120	1774 4120
1600	4 P	1773 4160	1774 4160

Factory fitted accessories

Description	References
2 nd auxiliary contact (1 per position)	1599 9022
400 / 230 VAC transformer (1 per network)	consult us
3 positions padlocking	1599 9003
Clock exerciser with datalogging	consult us
3 current transformers (CTs)	consult us

Customer fitted accessories

Description	References
Communication RS485 MODBUS	1599 2000
2 inputs / 2 outputs	1599 2001
Solid neutral	consult us



Example: ATyS 6m 400 A - double line version with isolation BY-PASS in enclosure.



Enclosed ATyS 6 with isolation BY-PASS (continued)

Steel enclosure

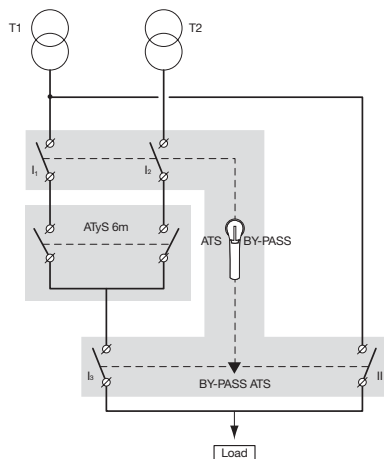
Illustrations

Operation

- ATS position:
 - I₁, I₂, I₃: closed
 - II: opened
- BY-PASS position:
 - I₁, I₂, I₃: opened
 - II: closed

For the double line version, I₄ or II₂ closed depending on supply source required.

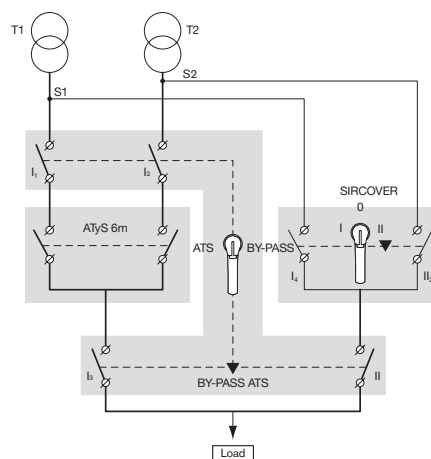
ATyS from 125 to 630 A - SINGLE LINE



atys_713_a_1_gb_cat

- 1 ATyS 6m
- 1 SIRCOVER 12 + 4 pole

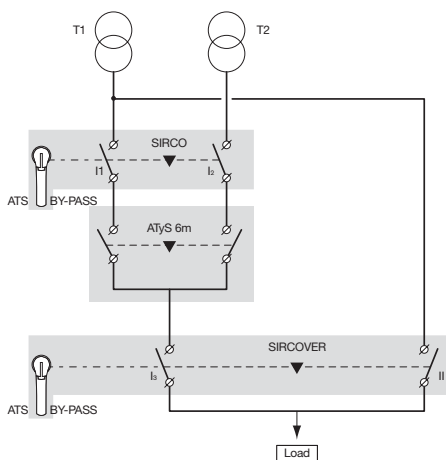
ATyS from 125 to 630 A - DOUBLE LINE



atys_714_a_1_gb_cat

- 1 ATyS 6m
- 1 SIRCOVER 12 + 4 pole
- 1 SIRCOVER 4 pole

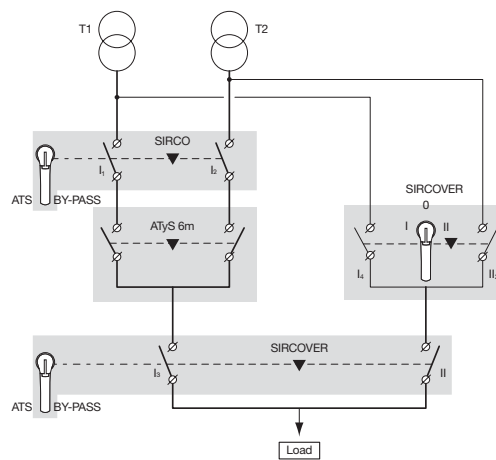
ATyS from 800 to 1600 A - SINGLE LINE



atys_715_a_1_gb_cat

- 1 ATyS 6m
- 1 SIRCO 8 pole and
1 SIRCOVER 4 pole

ATyS from 800 to 1600 A - DOUBLE LINE



atys_716_a_1_gb_cat

- 1 ATyS 6m
- 1 SIRCO 8 pole and
1 SIRCOVER 4 pole
- 1 SIRCOVER 4 pole

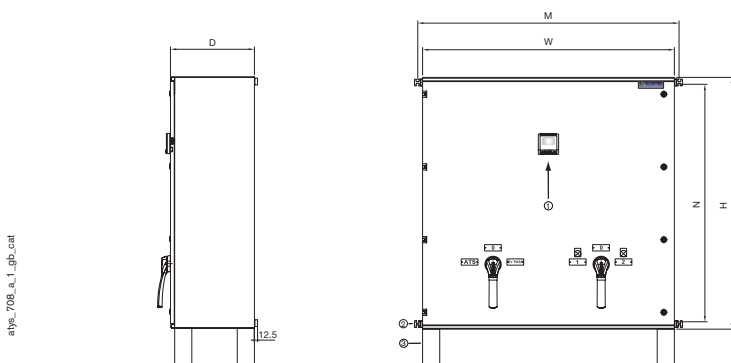
ATyS 63 to 3200 A

- Functions
- References
- Accessories
- Enclosed ATyS**
- Characteristics
- Dimensions

Enclosed ATyS 6 with isolation BY-PASS (continued)

Steel enclosure

Dimensions



1. Remote interface ATyS D20
2. Up to 400 A
3. From 630 A

Single line version

Wall mounting - Bottom

Rating (A)	Connection section (mm ²)	Max. connection section (mm ²)	H	W	D	M	N
63	-	50	1000	800	400	848	958
100	-	50	1000	800	400	848	958
125	-	50	1000	800	400	848	958
160	70	95	1000	800	400	848	958
250	120	150	1200	800	400	848	1158
400	240	240	1200	800	400	848	1158

Floor standing - Bottom

Rating (A)	Connection section (mm ²)	Max. connection section (mm ²)	H	W	D	M	N
630	300	300	1600	1000	400	-	-
800	2 x 185	2 x 300	2200	1000	1000	-	-
1000	2 x 240	2 x 400	2200	1000	1000	-	-
1250	-	4 x 185	2200	1000	1000	-	-
1600	-	4 x 400	2200	1000	1000	-	-

Double line version

Wall mounting - Bottom

Rating (A)	Connection section (mm ²)	Max. connection section (mm ²)	H	W	D	M	N
63	-	50	1000	1000	400	1048	958
100	-	50	1000	1000	400	1048	958
125	-	50	1000	1000	400	1048	958
160	70	95	1000	1000	400	1048	958
250	120	150	1200	1200	400	1248	1158
400	240	240	1200	1200	400	1248	1158

Floor standing - Bottom

Rating (A)	Connection section (mm ²)	Max. connection section (mm ²)	H	W	D	M	N
630	2 x 150	2 x 300	1600	1200	550	-	-
800	2 x 185	2 x 300	2200	1400	800	-	-
1000	2 x 240	2 x 400	2200	1400	1000	-	-
1250	-	4 x 185	2200	1600	1000	-	-
1600	-	4 x 400	2200	1600	1000	-	-



Enclosed ATyS 6 with isolation BY-PASS (continued)

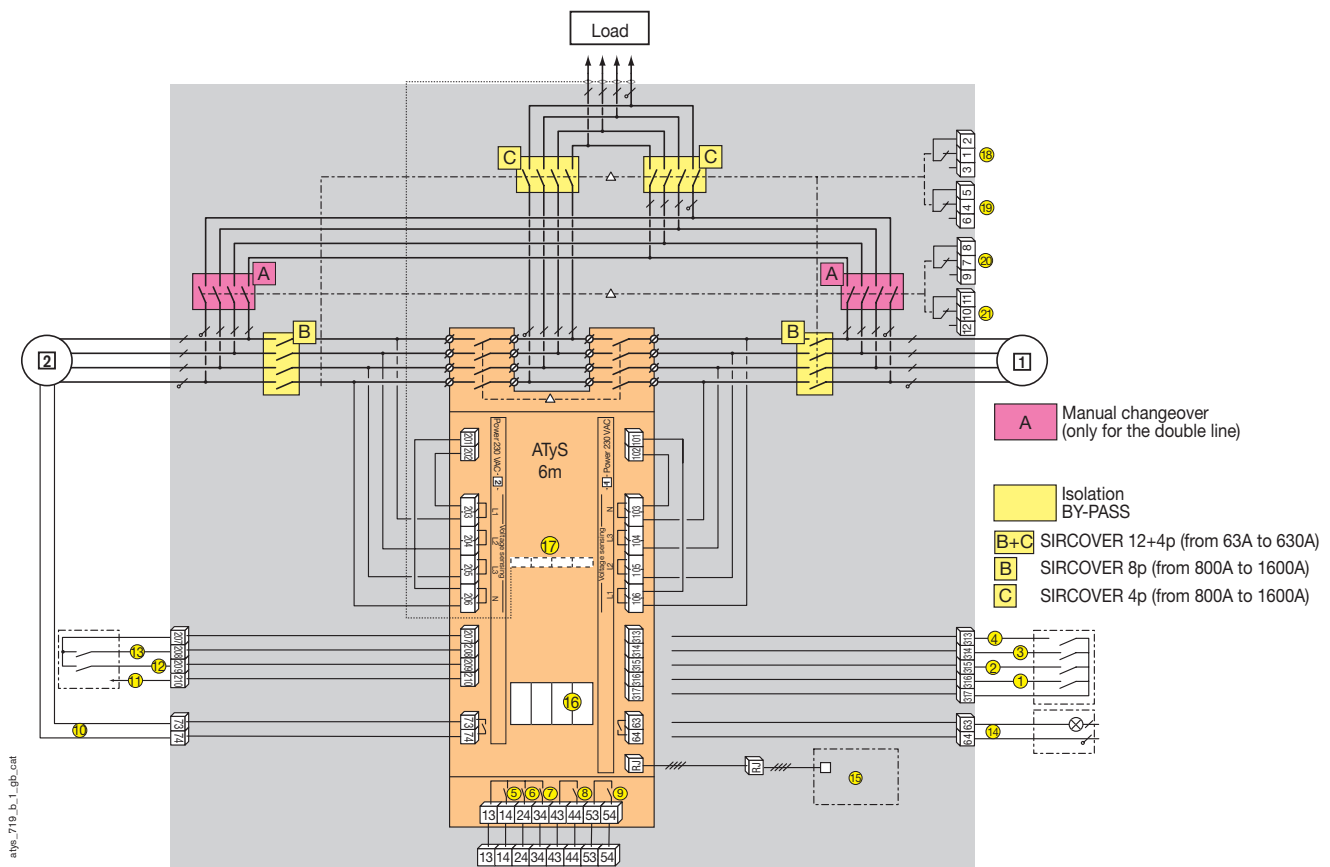
Steel enclosure

Environment

The complete enclosure meets the following environmental requirements:

- operating temperature: -10 to +40 °C without de-rating,
- operating temperature: +40 to +65 °C with de-rating,
- maximum storage is one year,
- 80 % humidity non condensing at +55 °C,
- 95 % humidity non condensing at +40 °C,
- maximum operating altitude without switch de-rating is 2000 m above sea level.

Functional diagram



- 1 Priority source
- 2 Backup source
- 1: position 0 control
- 2: position I control
- 3: position II control
- 4: position control inhibition inputs (0-I-II)
- 5: auxiliary contact, closed when the switch is in position I
- 6: auxiliary contact, closed when the switch is in position II
- 7: auxiliary contact, closed when the switch is in position 0
- 8: auxiliary contact, closed when the switch is on "AUT" mode
- 9: auxiliary contact, closed when the switch is padlocked
- 10: gen-set start command
- 11: auxiliary power supply (for optional modules control)
- 12: remote "test on-load" input

- 13: DTT inhibit input. Transfer initiated as soon as the input is closed when DTT = max. value.
- 14: fault output
- 15: remote control interface
- 16: slots for optional modules
- 17: 3 current transformers (Cts) for ATyS metering
- 18: by-pass position
- 19: ATS position
- 20: 1 Priority source used
- 21: 2 Backup source used
- 101 - 102: supply 1 220 -20% / 240 +20%
- 201 - 202: supply 2 220 -20% / 240 +20%

ATyS

63 to 3200 A



Functions
References
Accessories
Enclosed ATyS
Characteristics
Dimensions

ATyS M - Characteristics (according to IEC 60947)

Thermal current I_{th} (40°C)	63 A	80 A	100 A	125 A	160 A
Rated insulation voltage U_i (V) (power circuit)	800	800	800	800	800
Rated impulse withstand voltage U_{imp} (kV) (power circuit)	6	6	6	6	6
Rated insulation voltage U_i (V) (operation circuit)	300	300	300	300	300
Rated impulse withstand voltage U_{imp} (kV) (operation circuit)	4	4	4	4	4

Rated operational currents I_e (A)

According to IEC 60947-3

Rated voltage	Load duty category	A/B ⁽¹⁾	A/B ⁽¹⁾	A/B ⁽¹⁾	A/B ⁽¹⁾	A/B ⁽¹⁾
415 VAC	AC-21 A / AC-21 B	63/63	80/80	100/100	125/125	160/160
	AC-22 A / AC-22 B	63/63	80/80	100/100	125/125	160/160
	AC-23 A / AC-23 B	63/63	80/80	100/100	125/125	125/160
690 VAC ⁽²⁾	AC-21 A / AC-21 B	63/63	80/80	100/100	125/125	160/160
	AC-22 A / AC-22 B	63/63	80/80	80/80	100/125	100/125
	AC-23 A / AC-23 B	63/63	63/63	80/80	80/80	80/80

According to IEC 60947-6-1

415 VAC	AC-31 A / AC-31 B	63/63	80/80	100/100	100/125	100/160
	AC-32 A / AC-32 B	63/63	80/80	100/100	100/125	100/160
	AC-33 A / AC-33 B	-/63	-/80	-/80	-/80	-/80

Overload capacity

Rated short-time withstand current 1 s. I_{cw} (kA rms)	4	4	4	4	4
Short-circuit making capacity (kA peak) ⁽³⁾	17	17	17	17	17
Prospective short-circuit current (kA rms) ⁽³⁾	50	50	50	50	50
Associated fuse rated (A) ⁽³⁾	63	80	100	125	160

Connection

Minimum Cu cable section (mm ²)	6	6	6	6	6
Maximum Cu cable section (mm ²)	70	70	70	70	70
Tightening torque min / max (Nm)	4/6	4/6	4/6	4/6	4/6

Switching time (nominal voltage)

I - 0 or II - 0 (ms) ⁽⁴⁾	50	50	50	50	50
I - II or II - I (ms) ⁽⁴⁾	180	180	180	180	180
Duration of "electrical blackout" I - II (ms) minimum (ATyS M 3s)	60	60	60	60	60
Duration of "electrical blackout" I - II (ms) minimum (ATyS M 6s or 6e)	90	90	90	90	90

Power-supply tolerance

Supply 230 VAC min / max (VAC)	176/288	176/288	176/288	176/288	176/288
--------------------------------	---------	---------	---------	---------	---------

Control supply power demand

Max current under 230 VAC (A)	30	30	30	30	30
Nominal power (VA)	6	6	6	6	6

Mechanical characteristics

Endurance (number of operating cycles)	10 000	10 000	10 000	10 000	10 000
Weight switch (kg)	3.5	3.5	3.5	3.5	3.5

(1) A/B: Category with index A = frequent operation / Category with index B = infrequent operation.

(2) With terminal shrouds or phase barrier.

(3) For a rated operating voltage $U_e = 400$ VAC.

(4) Between the order given and the arrival in position (under the nominal conditions).



ATyS - Characteristics (according to IEC 60947)

Thermal current I_{th} (40°C)	125 A	160 A	250 A	400 A	630 A	800 A	1000 A
Rated insulation voltage U_i (V)	800	800	800	800	1000	1000	1000
Rated impulse withstand voltage U_{imp} (kV)	8	8	8	8	12	12	12

Rated operational currents I_e (A)

According to IEC 60947-3

Rated voltage	Load duty category	A/B ⁽¹⁾	A/B ⁽¹⁾	A/B ⁽¹⁾	A/B ⁽¹⁾	A/B ⁽¹⁾	A/B ⁽¹⁾	A/B ⁽¹⁾
415 VAC	AC-21 A / AC-21 B	125/125	160/160	250/250	400/400	630/630	800/800	1000/1000
	AC-22 A / AC-22 B	125/125	160/160	250/250	400/400	630/630	800/800	1000/1000
	AC-23 A / AC-23 B	125/125	160/160	250/250	250/250	500/500	800/800	1000/1000
690 VAC ⁽²⁾	AC-20 A / AC-20 B	125/125	160/160	250/250	400/400	630/630	800/800	1000/1000
	AC-21 A / AC-21 B	125/125	160/160	200/250	200/250	500/500	800/800	800/800
	AC-22 A / AC-22 B	125/125	125/125	125/160	125/160	315/315	800/800	800/800
220 VDC	AC-23 A / AC-23 B	63/80	63/80	100/125	100/125	160/200	200/250	200/250
	DC-20 A / DC-20 B	125/125	160/160	250/250	400/400	630/630	800/800	1000/1000
	DC-21 A / DC-21 B	125/125	160/160	250/250	250/250	630/630	800/800	1000/1000
440 VDC	DC-22 A / DC-22 B	125/125	160/160	250/250	250/250	500/500	800/800	1000/1000
	DC-23 A / DC-23 B	125/125	125/125	200/200	200/200	500/500	800/800	1000/1000
	DC-20 A / DC-20 B	125/125	160/160	250/250	400/400	630/630	800/800	1000/1000
415 VAC	DC-21 A / DC-21 B	125 ⁽³⁾ /125 ⁽³⁾	125 ⁽³⁾ /125 ⁽³⁾	200 ⁽³⁾ /200 ⁽³⁾	200 ⁽³⁾ /200 ⁽³⁾	500 ⁽³⁾ /500 ⁽³⁾	800 ⁽⁴⁾ /800 ⁽⁴⁾	1000 ⁽⁴⁾ /1000 ⁽⁴⁾
	DC-22 A / DC-22 B	125 ⁽³⁾ /125 ⁽³⁾	125 ⁽³⁾ /125 ⁽³⁾	200 ⁽³⁾ /200 ⁽³⁾	200 ⁽³⁾ /200 ⁽³⁾	500 ⁽³⁾ /500 ⁽³⁾	800 ⁽⁴⁾ /800 ⁽⁴⁾	1000 ⁽⁴⁾ /1000 ⁽⁴⁾
	DC-23 A / DC-23 B	125 ⁽⁴⁾ /125 ⁽⁴⁾	125 ⁽⁴⁾ /125 ⁽⁴⁾	200 ⁽⁴⁾ /200 ⁽⁴⁾	200 ⁽⁴⁾ /200 ⁽⁴⁾	500 ⁽⁴⁾ /500 ⁽⁴⁾	800 ⁽⁴⁾ /800 ⁽⁴⁾	1000 ⁽⁴⁾ /1000 ⁽⁴⁾

According to IEC 60947-6-1

415 VAC	AC-31 B	125	160	250	400	630	800	1000
---------	---------	-----	-----	-----	-----	-----	-----	------

Overload capacity

Rated short-time withstand current 1 s. I_{cw} (kA rms)	7	7	9	9	13	26	35
Rated peak withstand current (kA peak) ⁽⁵⁾	20	20	30	30	45	55	80
Prospective short-circuit current (kA rms) ⁽⁵⁾	100	100	50	18	70	50	100
Associated fuse rated (A) ⁽⁵⁾	125	160	250	400	630	800	1000

Connection

Minimum Cu cable section (mm ²)	35	50	95	185	2 x 150	2 x 185	2 x 240
Minimum Cu busbar section (mm ²)	-	-	-	-	2 x 30 x 5	2 x 40 x 5	2 x 50 x 5
Maximum Cu cable section (mm ²)	50	95	150	240	2 x 300	2 x 300	4 x 185
Maximum Cu busbar width (mm)	25	25	32	32	50	63	63
Tightening torque min / max (Nm)	9/13	9/13	20/26	20/26	20/26	-	-

Switching time

I - II or II - I (s) ⁽⁶⁾	0.75	0.75	1.3	1.3	1.3	2.6	2.6
I - 0 or II - 0 (s) ⁽⁶⁾	0.45	0.45	0.85	0.85	0.85	1.6	1.6
Duration of "electrical blackout" I - II (s)	0.3	0.3	0.6	0.6	0.6	1.5	1.5

Power-supply tolerance

Supply 230 VAC min / max (VAC)	176/288	176/288	176/288	176/288	176/288	176/288	176/288
--------------------------------	---------	---------	---------	---------	---------	---------	---------

Control supply power demand

Supply 230 VAC inrush / nominal (VA)	420/80	420/80	420/100	420/100	420/110	450/120	450/120
--------------------------------------	--------	--------	---------	---------	---------	---------	---------

Mechanical characteristics

Endurance (number of operating cycles)	10 000	10 000	8 000	8 000	5 000	4 000	4 000
Weight of 3 P switch (ATyS 3) (kg)	3.2	3.3	3.7	4.7	5.2	19.6	23.1
Weight of 4 P switch (ATyS 3) (kg)	3.3	3.4	3.8	5.2	5.7	23.1	24.6
Weight of 3 P switch (ATyS 6) (kg)	4	4.1	4.5	5.5	6	20.4	23.9
Weight of 4 P switch (ATyS 6) (kg)	4.1	4.2	4.6	6	6.5	23.9	25.4

(1) A/B: Category with index A = frequent operation / Category with index B = infrequent operation. (2) With terminal shrouds or phase barrier. (3) 3-pole device with 2 pole in series for the + and 1 pole for the -. (4) 4-pole device with 2 pole in series by polarity. (5) For a rated operating voltage $U_e = 400$ VAC. (6) Between the order given and the arrival in position (under the nominal conditions).

ATyS

63 to 3200 A

Functions
References
Accessories
Enclosed ATyS
▶ Characteristics
▶ Dimensions

ATyS - Characteristics (according to IEC 60947)

Thermal current I_{th} (40°C)	1250 A	1600 A	1800 A	2000 A	2500 A	3200 A
Rated insulation voltage U_i (V)	1000	1000	1000	1000	1000	1000
Rated impulse withstand voltage U_{imp} (kV)	12	12	12	12	12	12

Rated operational currents I_e (A)

According to IEC 60947-3

Rated voltage	Load duty category	A/B ⁽¹⁾	A/B ⁽¹⁾	A/B ⁽¹⁾	A/B ⁽¹⁾	A/B ⁽¹⁾	A/B ⁽¹⁾
415 VAC	AC-21 A / AC-21 B	1250/1250	1600/1600	1800/1800	-/2000	-/2500	-/3200
	AC-22 A / AC-22 B	1250/1250	1600/1600	1800/1800	-/2000	-/2500	-/3200
	AC-23 A / AC-23 B	1250/1250	1250/1250	1250/1250	-/1600	-/1600	-/1600
690 VAC ⁽²⁾	AC-20 A / AC-20 B	1250/1250	1600/1600	1800/1800	-/-	-/-	-/-
	AC-21 A / AC-21 B	800/800	1000/1000	1000/1000	-/-	-/-	-/-
	AC-22 A / AC-22 B	800/800	1000/1000	1000/1000	-/-	-/-	-/-
	AC-23 A / AC-23 B	200/250	500/500	500/500	-/-	-/-	-/-
220 VDC	DC-20 A / DC-20 B	1250/1250	1600/1600	1800/1800	-/-	-/-	-/-
	DC-21 A / DC-21 B	1250/1250	1250/1250	1250/1250	-/-	-/-	-/-
	DC-22 A / DC-22 B	1250/1250	1250/1250	1250/1250	-/-	-/-	-/-
440 VDC	DC-20 A / DC-20 B	1250/1250	1600/1600	1800/1800	-/-	-/-	-/-
	DC-21 A / DC-21 B	1250 ⁽³⁾ /1250 ⁽³⁾	1250 ⁽³⁾ /1250 ⁽³⁾	1250 ⁽³⁾ /1250 ⁽³⁾	-/-	-/-	-/-
	DC-22 A / DC-22 B	1250 ⁽³⁾ /1250 ⁽³⁾	1250 ⁽³⁾ /1250 ⁽³⁾	1250 ⁽³⁾ /1250 ⁽³⁾	-/-	-/-	-/-
	DC-23 A / DC-23 B	1250 ⁽³⁾ /1250 ⁽³⁾	1250 ⁽³⁾ /1250 ⁽³⁾	1250 ⁽³⁾ /1250 ⁽³⁾	-/-	-/-	-/-

According to IEC 60947-6-1

415 VAC	AC-31 B	1250	1600	1800	2000	2500	-
---------	---------	------	------	------	------	------	---

Overload capacity

Rated short-time withstand current 1 s. I_{cw} (kA rms)	35	50	50	55	55	55
Rated peak withstand current (kA peak) ⁽⁴⁾	80	110	110	120	120	120
Prospective short-circuit current (kA rms) ⁽⁴⁾	100	100	100	-	-	-
Associated fuse rated (A) ⁽⁴⁾	1250	1600	1800	-	-	-

Connection

Minimum Cu busbar section (mm ²)	2 x 60 x 5	2 x 80 x 5	3 x 100 x 5	2 x 100 x 10	2 x 100 x 10	2 x 100 x 10
Maximum Cu cable section (mm ²)	4 x 185	6 x 185	6 x 185	-	-	-
Maximum Cu busbar width (mm)	63	100	100	100	100	100
Tightening torque min / max (Nm)	20/26	40/45	40/45	40/45	40/45	40/45

Switching time

I - II or II - I (s) ⁽⁵⁾	2.6	2.6	2.6	2	2	2
I - 0 or 0 - I (s) ⁽⁵⁾	1.6	1.6	1.6	1	1	1
Duration of "electrical blackout" I - II (s)	1.5	1.6	1.6	1	1	1

Power-supply tolerance

Supply 230 VAC min / max (VAC)	176/288	176/288	176/288	176/288	176/288	176/288
--------------------------------	---------	---------	---------	---------	---------	---------

Control supply power demand

Supply 230 VAC inrush / nominal (VA)	450/120	450/120	450/120	550/390	550/390	550/390
--------------------------------------	---------	---------	---------	---------	---------	---------

Mechanical characteristics

Endurance (number of operating cycles)	4 000	3 000	3 000	3 000	3 000	3 000
Weight of 3 P switch (ATyS 3) (kg)	24.6	36.1	36.1	47 ⁽⁶⁾	51 ⁽⁶⁾	59 ⁽⁶⁾
Weight of 4 P switch (ATyS 3) (kg)	29.6	42.1	42.1	57 ⁽⁶⁾	61 ⁽⁶⁾	69 ⁽⁶⁾
Weight of 3 P switch (ATyS 6) (kg)	25.4	36.9	-	47 ⁽⁶⁾	51 ⁽⁶⁾	59 ⁽⁶⁾
Weight of 4 P switch (ATyS 6) (kg)	30.4	42.9	-	57 ⁽⁶⁾	61 ⁽⁶⁾	69 ⁽⁶⁾

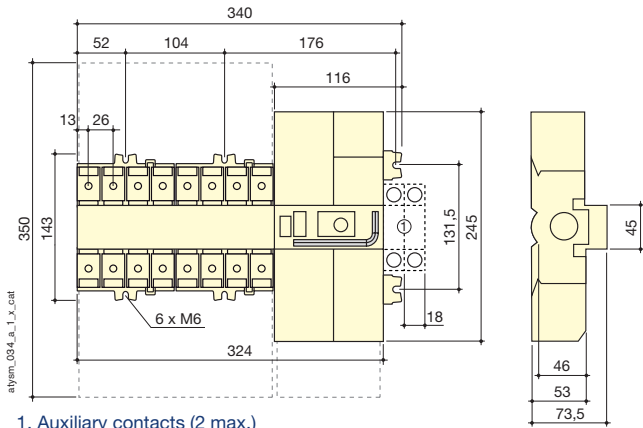
(1) A/B: Category with index A = frequent operation / Category with index B = infrequent operation. (2) With terminal shrouds or phase barrier.

(3) 4-pole device with 2 pole in series by polarity. (4) For a rated operating voltage $U_e = 400$ VAC. (5) Between the order given and the arrival in position (under the nominal conditions). (6) Weight for ATyS 3e, 6e and 6m.



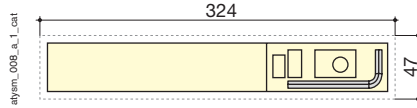
Dimensions

• ATyS M 63 to 160 A

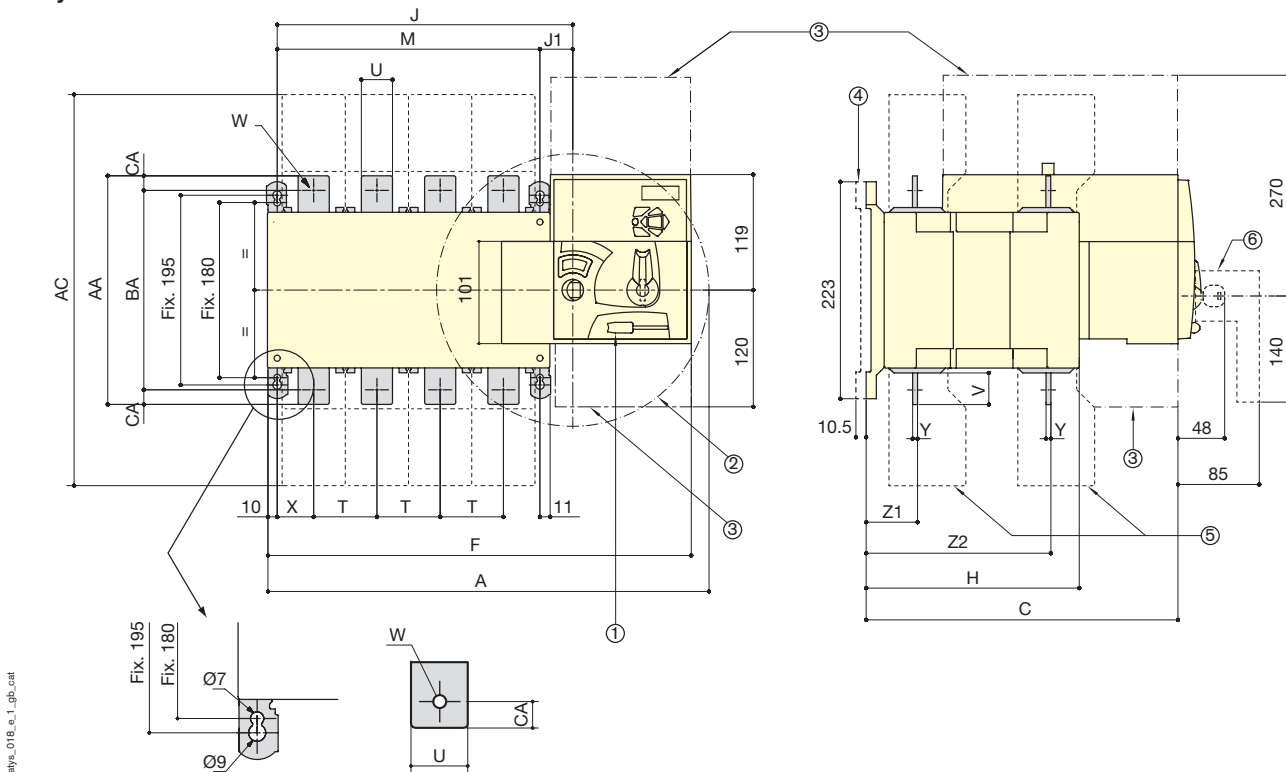


1. Auxiliary contacts (2 max.)

• Cut out dimension



• ATyS 125 to 630 A



- 1. Locking bracket with 3 padlocks max
- 2. Maximum handle radius, operating angle 2 x 90°
- 3. Connection and disconnection area
- 4. Mounting spacers
- 5. Terminal shrouds
- 6. Handle

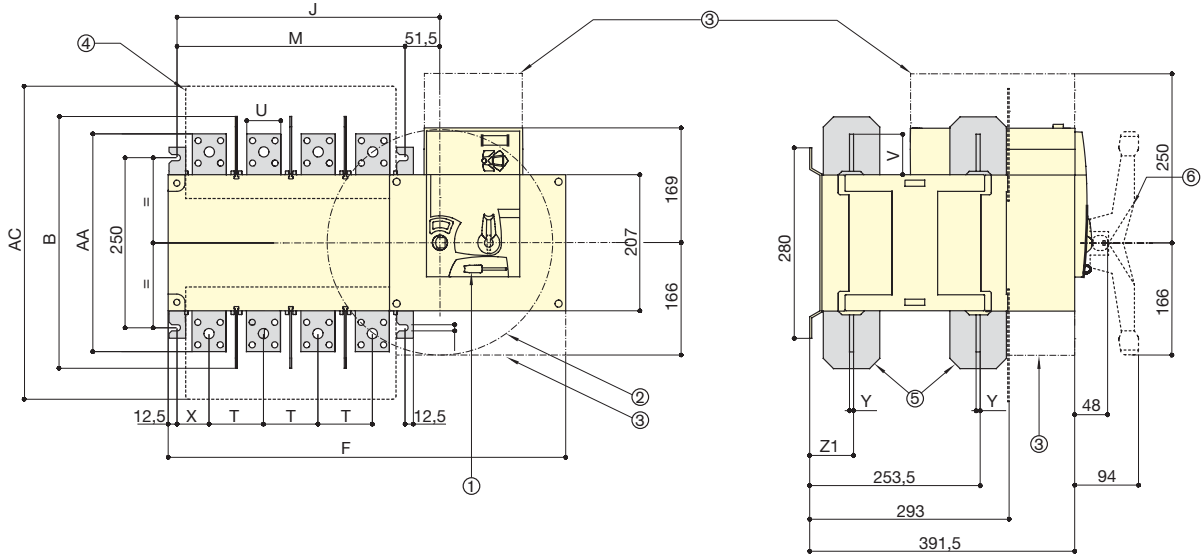
Rating (A)	Overall dimensions			Terminal shrouds		Switch body					Switch mounting		Connection terminals											
	A 3p.	A 4p.	C	AC	F 3p.	F 4p.	H	J 3p.	J 4p.	J1	M 3p.	M 4p.	T	U	V	W	X 3p.	X 4p.	Y	Z1	Z2	AA	BA	CA
125	304	340	244	235	286.5	322.5	151	154	184	34	120	150	36	20	25	9	28	22	3.5	38	134	135	115	10
160	304	340	244	235	286.5	322.5	151	154	184	34	120	150	36	20	25	9	28	22	3.5	38	134	135	115	10
250	345	395	244.5	280	328	378	153	195	245	35	160	210	50	25	30	11	33	33	3.5	39.5	134.5	160	130	15
400	345	395	244.5	280	328	378	153	195	245	35	160	210	50	35	35	11	33	33	3.5	39.5	134.5	170	140	15
630	394	459	320.5	400	377	437	221	244	304	34	210	270	65	45	50	13	42.5	37.5	5	53	190	260	220	20

ATyS 63 to 3200 A

- Functions
- References
- Accessories
- Enclosed ATyS
- Characteristics
- ▶ **Dimensions**

Dimensions

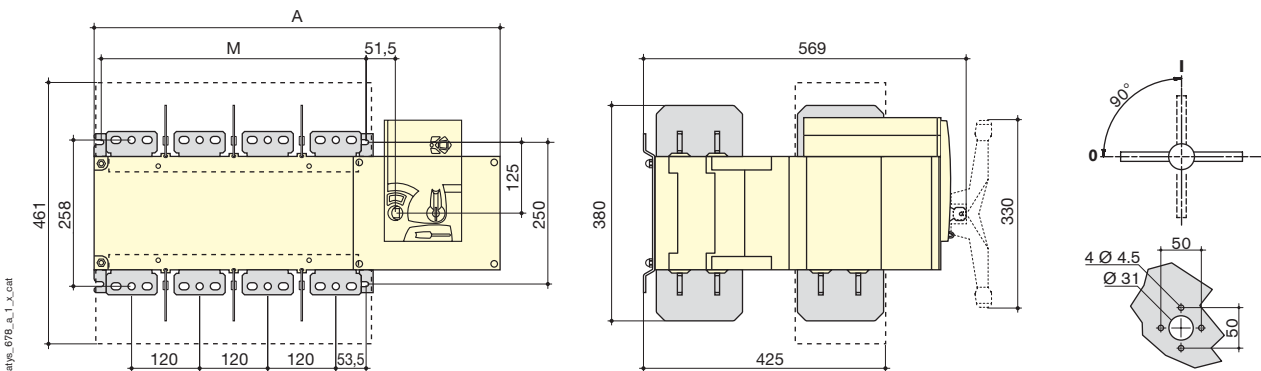
• ATyS 800 to 1800 A



- 1. Locking bracket with 3 padlocks max
- 2. Maximum handle radius, operating angle 2 x 90°
- 3. Connection and disconnection area
- 4. Terminal screens
- 5. Phase barrier shield
- 6. Handle

Rating (A)	Overall dimensions		Terminal shrouds				Switch body				Switch mounting				Connection terminals			
	B	AC	F 3p.	F 4p.	J 3p.	J 4p.	M 3p.	M 4p.	T	U	V	X	Y	Z1	AA			
800	370	461	504	584	306.5	386.5	255	335	80	50	60.5	60	7	66.5	321			
1000	370	461	504	584	306.5	386.5	255	335	80	50	60.5	60	7	66.5	321			
1250	370	461	504	584	306.5	386.5	255	335	80	60	65	60	7	66.5	330			
1600	380	481	596	716	398.5	518.5	347	467	120	90	44	66	8	67.5	288			
1800	380	481	596	716	398.5	518.5	347	467	120	90	44	66	8	67.5	288			

• ATyS 2000 to 3200 A



Rating (A)	Overall dimensions		Switch mounting	
	A 3p.	A 4p.	M 3p.	M 4p.
2000 ... 3200	596	716	347	467

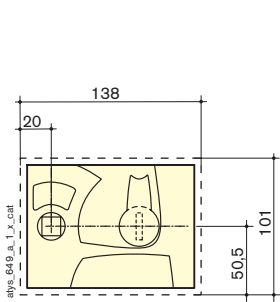


Dimensions

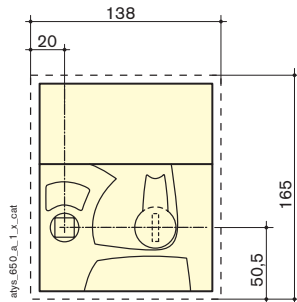
Cut out dimension

• ATyS 125 to 630 A

ATyS 3s

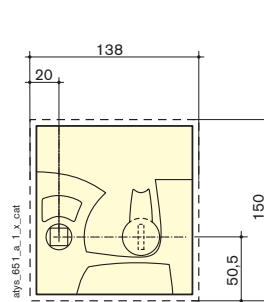


ATyS 3e, 6e, 6m

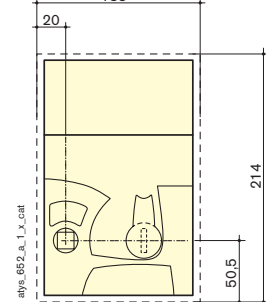


• ATyS 800 to 1800 A

ATyS 3s

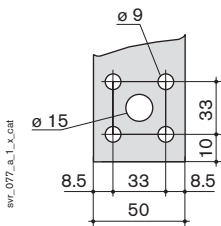


ATyS 3e, 6e, 6m

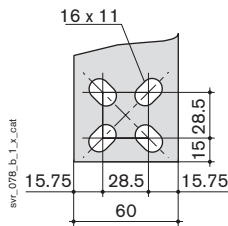


Connection terminals

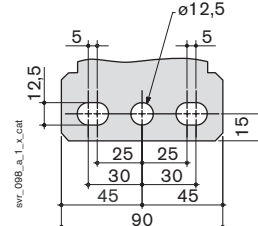
• ATyS 800 to 1000 A



• ATyS 1250 A

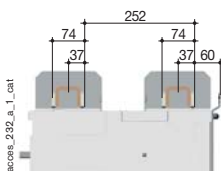
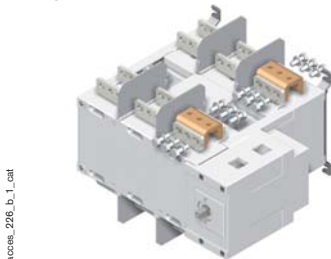


• ATyS 1600 to 3200 A

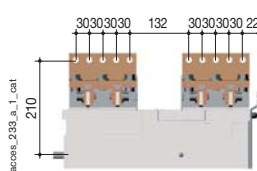
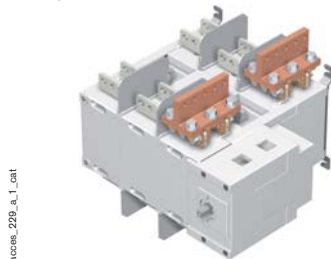


Copper bars connection kits

• Fig. 1



• Fig. 2



• Fig. 3

